



Commercial Locks

NOVAS



Contents

- Introduction
- Master Keying System
- 12300 Series Mortise Locks
- 12500 Series Mortise Locks
- Narrow Stile Locks
- Tubular Deadbolts
- Passage Latch
- Tubular Latches
- Accessories

Introduction

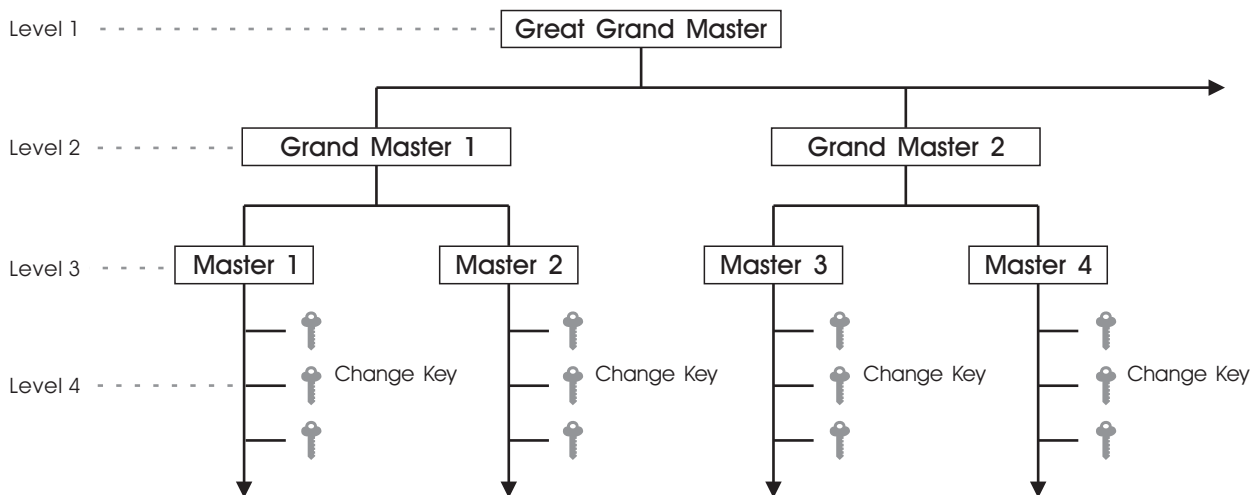
Novas commercial locks are designed to suit commercial, industrial and prestigious residential projects. Novas commercial locks also provide different function to meet various applications.

We can offer complete range of door furniture to suit our commercial locks. For the details of door furniture, please refer to our door furniture catalogue.

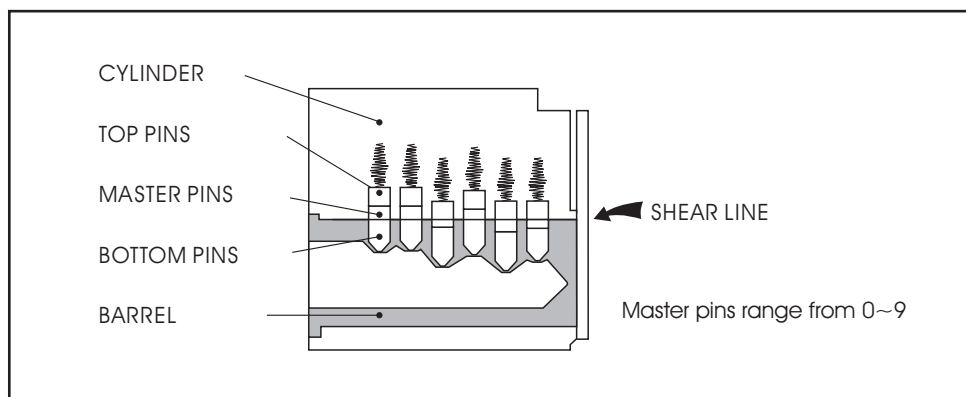
We also provide the keying service with the supply of our locks. Our master keying software can handle multi-level of keying management.

Master Keying System

Typical 4-Level System

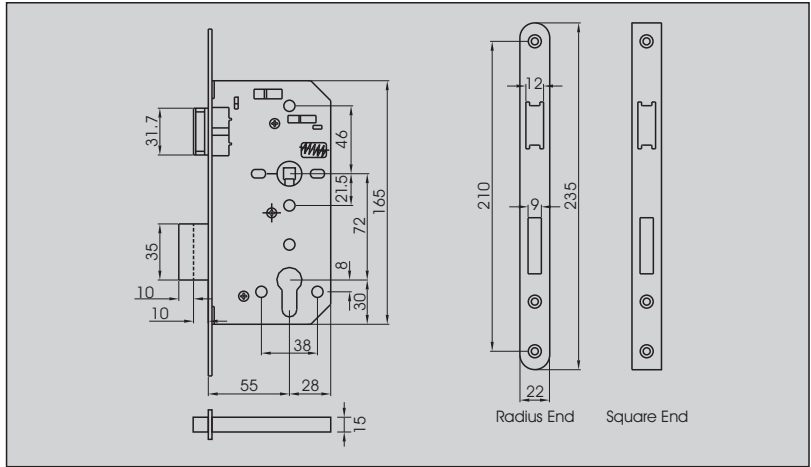
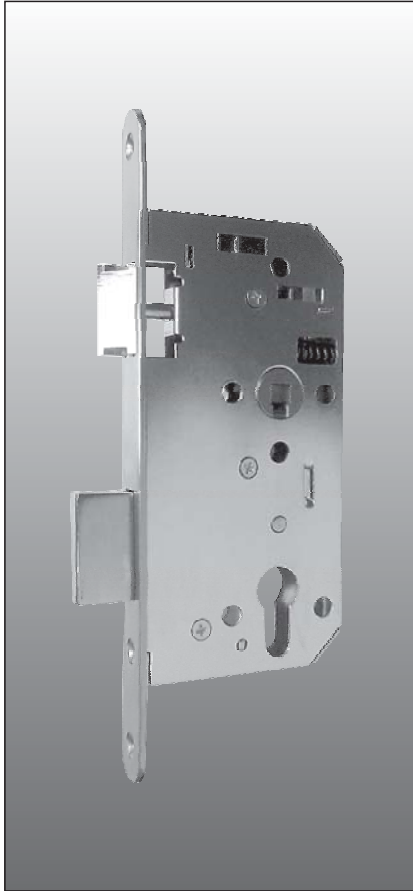


Installation of 6-pin master keying tumbler mechanism



12300 Series Mortise Lock

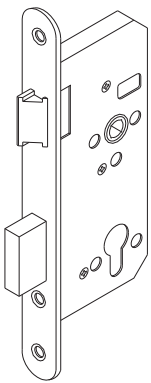
Sealed lockcase with 1.5mm galvanized steel
 Latchbolt reversible
 Face plate finish: SSS, PSS



Numbering System

Basic Code	Cylinder NC No Cylinder CT60 60mm Cly with Turn CT70 70mm Cly with Turn DC60 60mm Dbl Cly DC70 70mm Dbl Cly	Face Plate Finish SSS: Satin Stainless Steel PSS: Polished Stainless Steel
↓	↓	↓
12301-CT60-SSS		

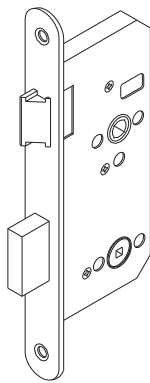
Entry Lock



Cat No. : 12301
Radius End Face Plate

Cat No. : 12311
Square End Face Plate

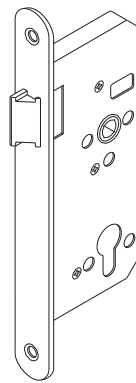
Privacy Lock



Cat No. : 12303
Radius End Face Plate

Cat No. : 12313
Square End Face Plate

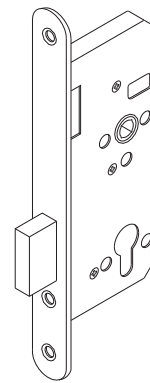
Passage Lock



Cat No. : 12305
Radius End Face Plate

Cat No. : 12315
Square End Face Plate

Dead Lock



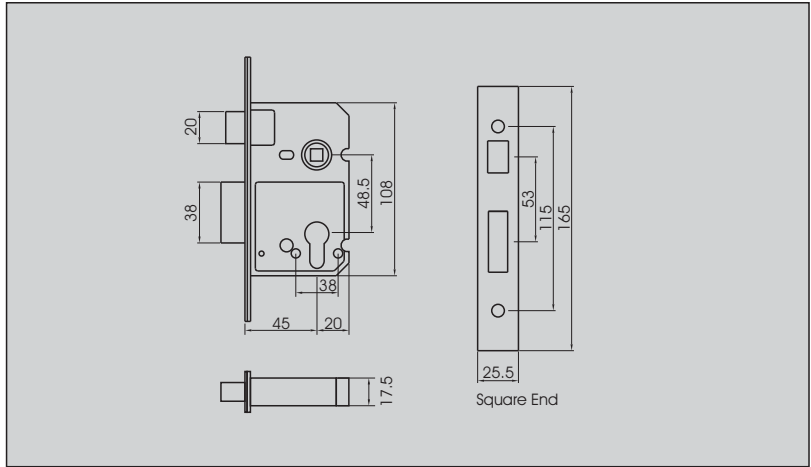
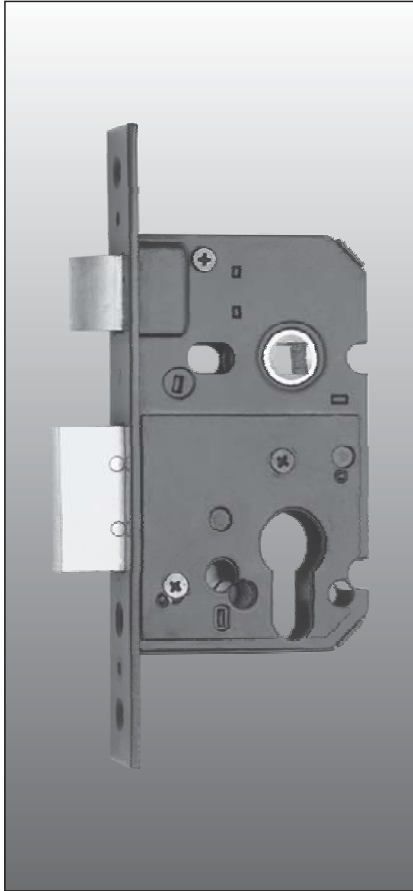
Cat No. : 12307
Radius End Face Plate

Cat No. : 12317
Square End Face Plate



12500 Series Mortise Lock

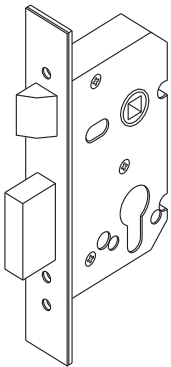
Sealed lockcase with 1.5mm steel powder coated
 Latchbolt reversible
 Face plate finish: SSS, PSS



Numbering System

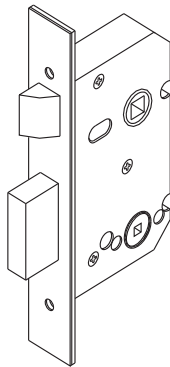
Basic Code	Cylinder NC No Cylinder CT60 60mm Cly with Turn CT70 70mm Cly with Turn DC60 60mm Dbl Cly DC70 70mm Dbl Cly	Face Plate Finish SSS: Satin Stainless Steel PSS: Polished Stainless Steel
↓	↓	↓
12501-CT60-SSS		

Entry Lock



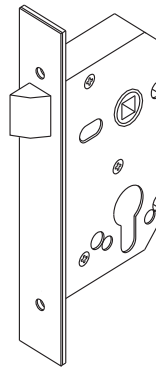
Cat No. : 12501

Privacy Lock



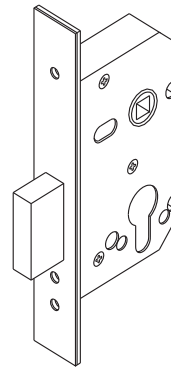
Cat No. : 12503

Passage Lock



Cat No. : 12505

Dead Lock

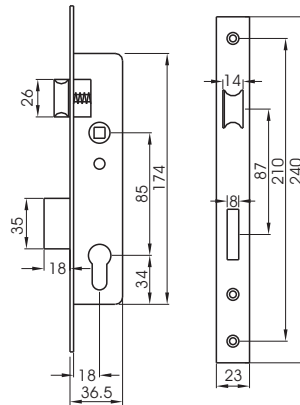


Cat No. : 12507



Narrow Stile Locks

Narrow Stile Entry Lock



Cat No.	Finish
12601-CT70	SSS/PSS
12601-DC70	SSS/PSS
12601-NC	

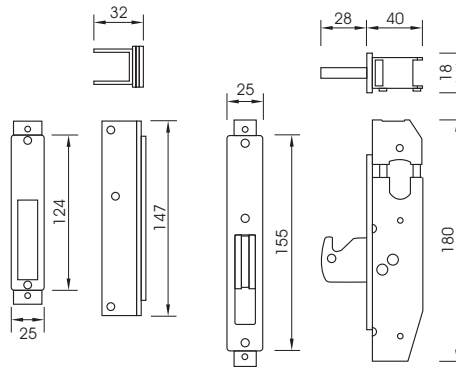
Note:
 CT70: 70mm cylinder with turn
 DC70: 70mm double cylinder
 NC: No Cylinder

Narrow Stile Sliding Lock



Strike Box

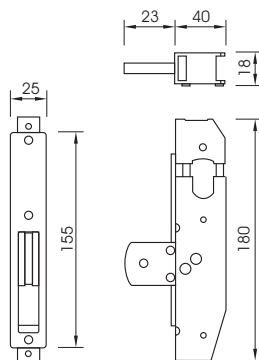
Lock Body



Cat No.	Finish
991NER-SC570	SC
991NER-DC570	SC
991NER-NC	SC

Note:
 SC570: Single 12570 cylinder
 DC570: Double 12570 cylinder
 NC: No Cylinder

Narrow Stile Deadlock



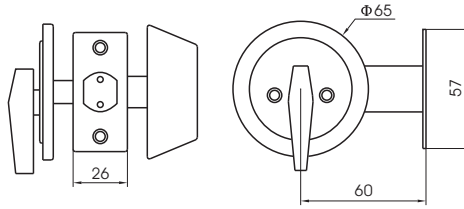
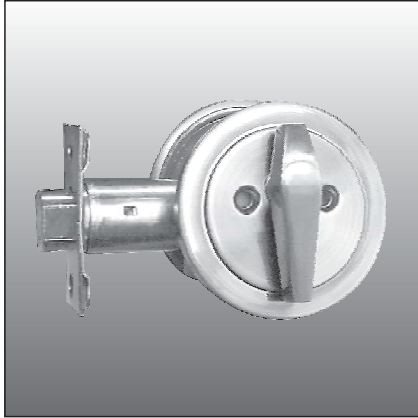
Cat No.	Finish
990SNER-SC570	SC
990SNER-DC570	SC
990SNER-NC	SC

Note:
 SC570: Single 12570 cylinder
 DC570: Double 12570 cylinder
 NC: No Cylinder



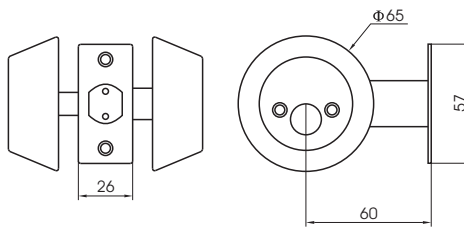
Tubular Deadbolts

Tubular Deadbolt with Cylinder and Turn



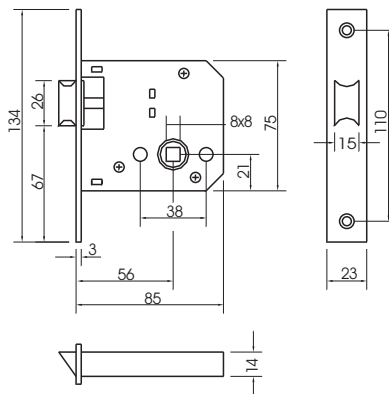
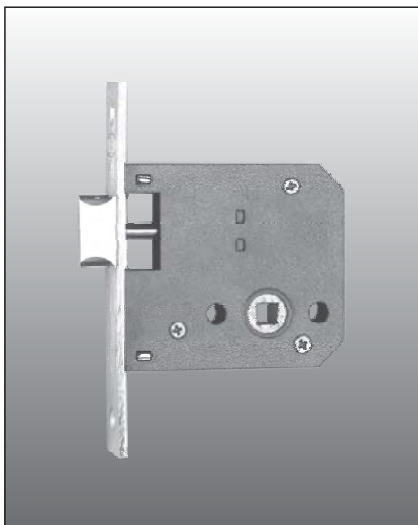
Cat No. 12801 **Finish** SB/PB/SC/PC

Tubular Deadbolt with Double Cylinder



Cat No. 12807 **Finish** SB/PB/SC/PC

Passage Latch

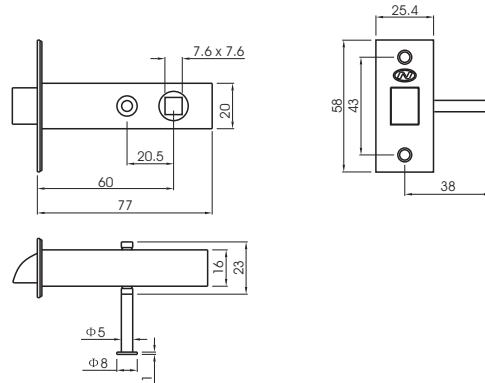


Cat No. 12901 **Finish** SSS/PSS



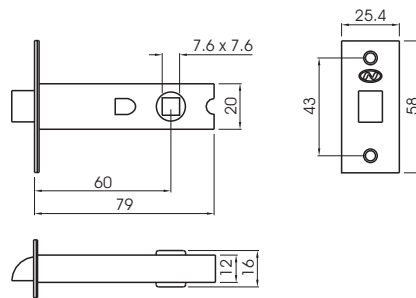
Tubular Latches

Tubular Privacy Latch



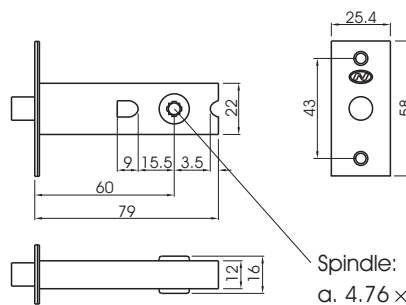
Cat No. 12903
Finish SSS/PSS

Tubular Passage Latch



Cat No. 12905
Finish SSS/PSS

Tubular Deadbolt



Cat No. 12907
Finish SSS/PSS

Spindle:
a. 4.76 x 4.76mm Spindle
b. 6 x 2mm Flat Bar

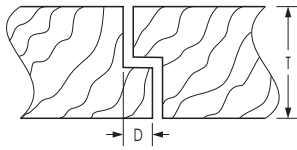


Accessories

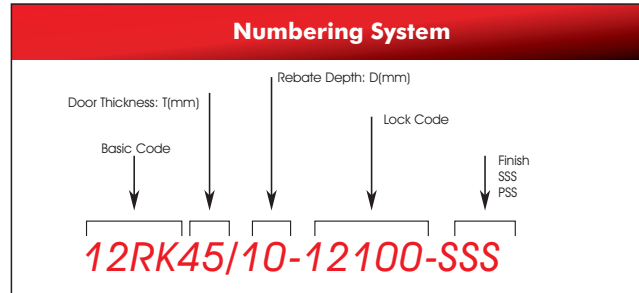
12RK Rebate Kits



T: 45mm, 50mm
D: 8mm, 10mm, 13mm

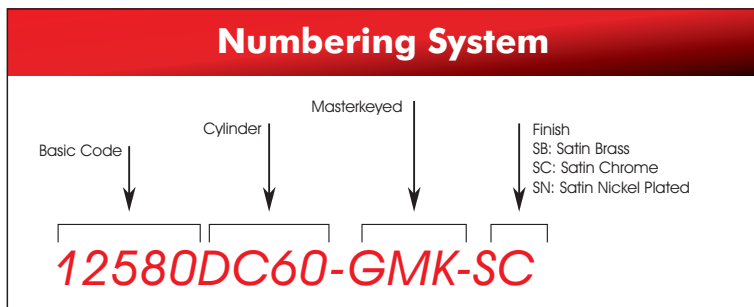


Necessary parts for professional installations
Provide with neat appearance and durability



12580 Euro Profile Cylinder

Pictures	Length	Cat No.	Description
	60mm	12580CT60	60mm Cylinder with Turn
	70mm	12580CT70	70mm Cylinder with Turn
	100mm	12580CT100	100mm Cylinder with Turn
	60mm	12580DC60	60mm Double Cylinder
	70mm	12580DC70	70mm Double Cylinder
	100mm	12580DC100	100mm Double Cylinder
	40mm	12580SC40	40mm Single Cylinder
	45mm	12580SC45	45mm Single Cylinder



Contact:

Shanghai Nova Hardware Co.,Ltd
402/Bld 4, 1221 Yanan Xi Road,
Shanghai 200050, China
Tel: 86-21-6252 9138
Fax: 86-21-6252 7978
Email: sales@nova-hardware.com
Web: www.nova-hardware.com

